

# UNIQUELY DESIGNED FOR YOUR HOME



Aritco HomeLift  
Product catalogue  
2023



## Aritco aims to make home lifts a natural part of people's everyday lives.

We believe that the definition of a modern home will change – that modern homes and contemporary living will include home lifts. Our journey started 25 years ago, with the simple idea of improving mobility everywhere. Today, Aritco lifts can be found in over 35,000 buildings and private homes around the world.

Simplicity, quality and innovation are the hallmarks of all Aritco's activities. We are constantly seeking new ways to improve the quality, design and user-friendliness of our

products, as well as our environmental impact. Safety and reliability are top priorities, and we follow Europe's strictest quality and safety standards.

All Aritco lifts are developed and produced in Stockholm, Sweden, and we are proud to maintain the highest level of quality in all stages of the process, from design through to final installation in your home.



This catalogue is primarily made for all our partners around the world. The purpose is to show what Aritco can offer in terms of products, options and possible combinations.

Due to continuous product development, all specifications included in this catalogue are subject to change without prior notice. Reservations are made regarding misprints and articles being out of stock.

## CONTENTS

Product summary .....	4
Lift sizes.....	6
Lift colour.....	8
Carrier and DesignWall .....	10
Control panel.....	14
Floor .....	16
Doors.....	18
DesignLight.....	20
SmartLift.....	21
Lift walls.....	22
Lift overview, definitions and top floor solutions .....	24
European standards and safety.....	26
Drive system and control system .....	27
Installation .....	28
Fixing the lift .....	29
Recommended sales arguments.....	30
Drawings .....	32

# PRODUCT SUMMARY

Aritco HomeLift is designed to be that extra feature of your home. It is decorative and is a spectacular design feature, which makes your home unique. It provides you with that extra feeling of luxury, and it ignites the full potential of your home.

<b>Type of lift:</b>	Home lift intended for installation in private homes. Only to be used in buildings without public access.	
<b>Technical compliance:</b>	European Machine directive 2006/42/EC European standard EN 81-41	
<b>Drive system:</b>	Screw and nut system	
<b>Installation environment:</b>	Indoor	
<b>Travel height:</b>	250 -15 000 mm	
<b>Top height:</b>	Minimum 2 225 mm. Wall extension 2275-4000 mm.	
<b>Number of floors:</b>	2 to 6 floors	
<b>Installation:</b>	Recessed installation with a 37 mm pit, or installed directly on the floor with a ramp	
<b>Control from carrier control panel:</b>	Hold to run - press and hold <sup>1)</sup>	
<b>Control from call button:</b>	One touch operation	
<b>Rated speed (max):</b>	0.15 m/s 0.30 m/s <sup>2)</sup>	
<b>Carrier sizes and rated load:</b>	S5: 600 x 830 mm	250 kg / 2 pers.
	S8: 1000 x 830 mm	250 kg / 3 pers.
	S9: 1100 x 830 mm	250 kg / 3 pers.
	S12: 1000 x 1200 mm	400 kg / 5 pers.
	S15: 1100 x 1400 mm	400 kg / 5 pers.



1) For installations outside Europe:  
One touch operation.

2) For installations outside Europe.

# Aritco HomeLift

Top floor solutions  
**page 25**

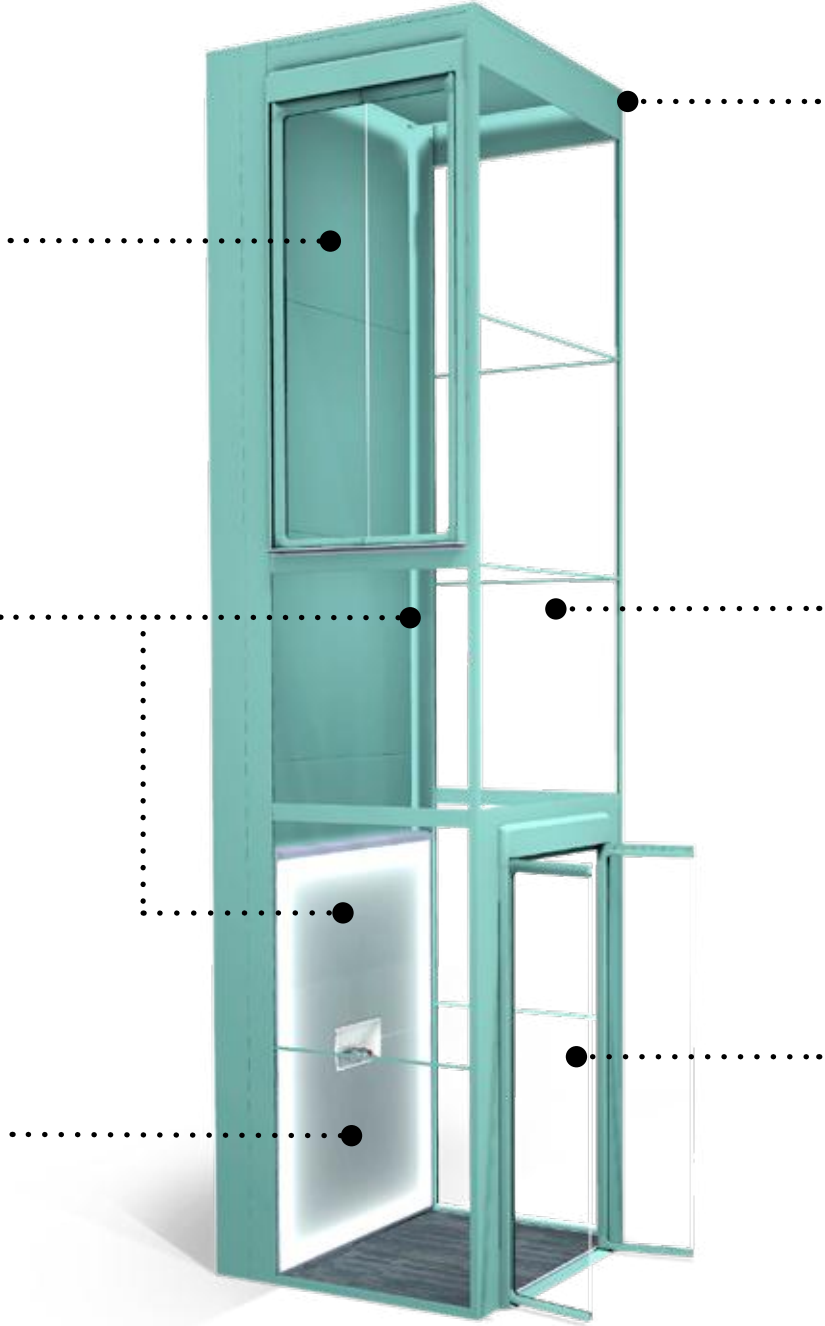
DesignLight  
**page 20**

Carrier  
**page 10**

Lift colour  
**page 8**

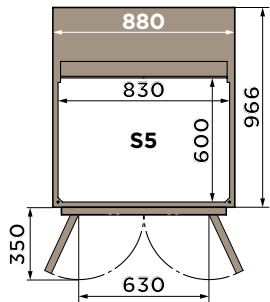
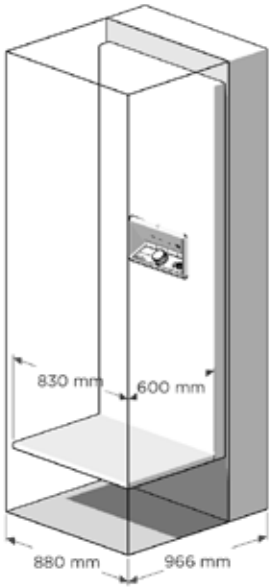
Lift walls  
**page 22**

Doors  
**page 18**



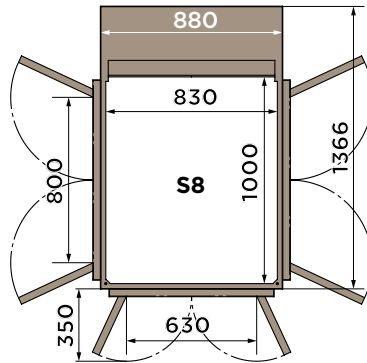
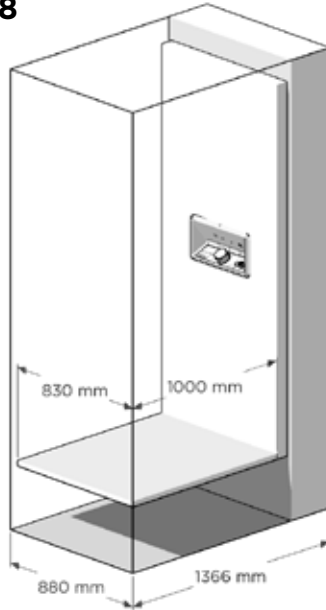
# LIFT SIZE

S5



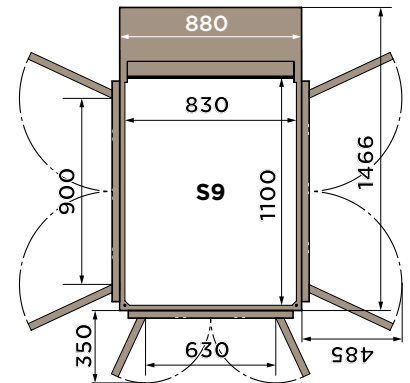
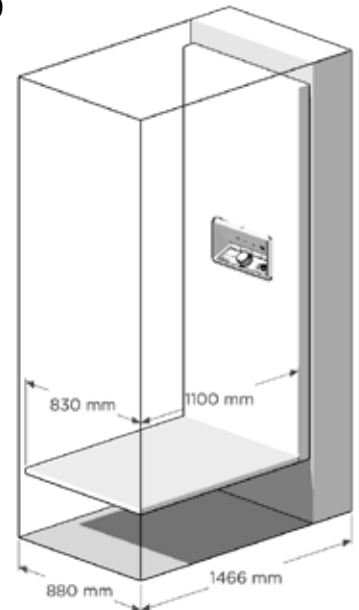
**Carrier size:** 600 x 830  
**External dim.:** 966 x 880  
**Rated load:** 250 kg / 2 persons

S8



**Carrier size:** 1000 x 830  
**External dim.:** 1366 x 880  
**Rated load:** 250 kg / 3 persons

S9



**Carrier size:** 1100 x 830  
**External dim.:** 1466 x 880  
**Rated load:** 250 kg / 3 persons

(mm)

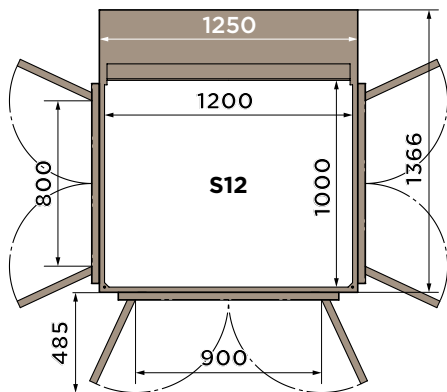
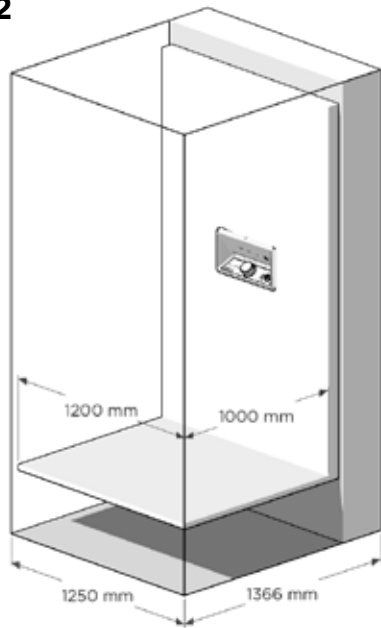
The Aritco HomeLift is available in five different sizes.

Sizes S5, S8 and S9 all have a very narrow mast side, which makes these sizes ideal when space in the home is limited. The larger sizes S12 and S15 are perfect for transporting larger items using the

lift and when space is available. Note that the door opening width for S5, S8 and S9 is only 630 mm when you have a door on B-side.

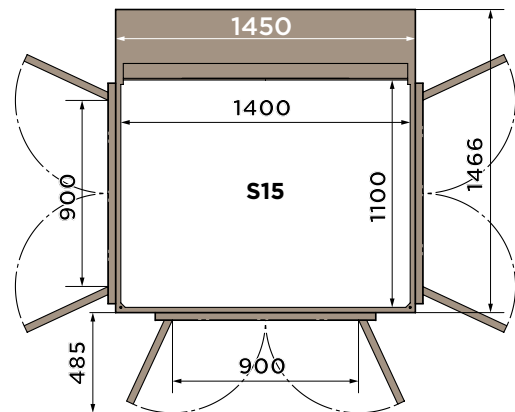
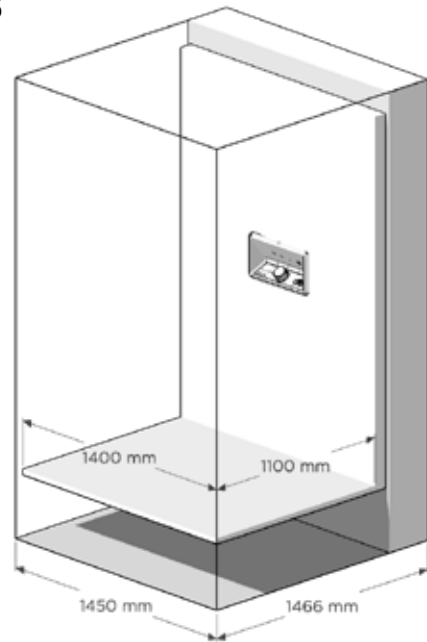
**Carrier size:** Inner dimensions of the lift  
**External dimension:** Outer dimensions of the lift (shaft size)  
 For detailed drawings see page 32.

**S12**



**Carrier size:** 1000 x 1200  
**External dim.:** 1366 x 1250  
**Rated load:** 400 kg / 5 persons

**S15**



**Carrier size:** 1100 x 1400  
**External dim.:** 1466 x 1450  
**Rated load:** 400 kg / 5 persons

(mm)

# LIFT COLOUR

The Aritco HomeLift is painted in Traffic White, RAL 9016, as standard.

The paint is a soft-textured powder coat with a matt surface (gloss level 12). The entire lift can be ordered in another colour as an option. It is also possible to order only the doors or walls in a different colour. When another colour is chosen for the doors, all the doors will be supplied in the same colour.



**Standard:**

Entire lift painted in standard Traffic White, RAL 9016

**Full colour option:**

Entire lift painted in an optional colour

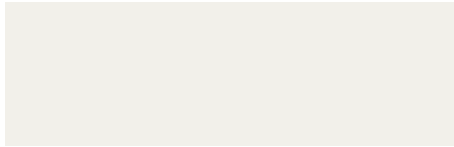
**Wall colour option:**

Walls painted in an optional colour

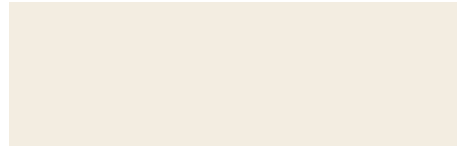
**Door colour option:**

Doors painted in an optional colour





Traffic white - standard colour  
RAL 9 016



Pure white  
RAL 9 010



Grey white  
RAL9 002



Oyster white  
RAL 1013



Light blue grey  
RAL 200 80 10



Light ivory  
RAL 1015



Light sage green  
RAL 120 80 20



Champagne  
RAL 060 70 10



White aluminium  
RAL 9 006



Telegrey 1  
RAL 7 045



Moss green  
RAL 6 005



Brown red  
RAL 3 011



Anthracite grey  
RAL 7 016



Jet black  
RAL 9 005

Note that the actual colour of the lift may differ from the colour samples pictures.

# CARRIER AND DESIGNWALL

The lift's DesignWall features a luxury design unlike any other product in the market – a work of art in its own right.



### **CARRIER**

The carrier consists of the L-shaped platform and DesignWall. This is the part of the lift that moves up and down when you use it. The lift is controlled from the control panel located in the middle of the DesignWall. You select the desired floor and start the lift by turning and pushing the unique Smart-Control on the control panel. The lighting at the floor of the platform and the control panel is 50 LUX.

### **DESIGNWALL**

The carrier is supplied with a 2000 mm high side wall called the DesignWall, which takes its name from its elegant and unique design. The DesignWall is delivered with hard-coated, scratch-resistant acrylic glass with a white background as standard. It is

backlit with a white LED light. It is possible to make the lift even more spectacular by customising the DesignWall with one of our specially selected patterns or images.

All the DesignWalls are backlit with an eye-catching white LED light. The DesignWall is delivered with a white background as standard. To make the lift into a real piece of art we have collaborated with a number of eminent Scandinavian artists and designers to create stylish patterns and images as options for the DesignWall. The current options are presented on the next page.

Note that the DesignWall will be in a backlit light box and may therefore appear different from the pictures. This can affect the color, contrast and sharpness of the picture.



**Diagonal** by Alexander Lervik



**Orientalic** by Alexander Lervik



**Sheets** by Rikard Lilja



**Structure** by Rikard Lilja



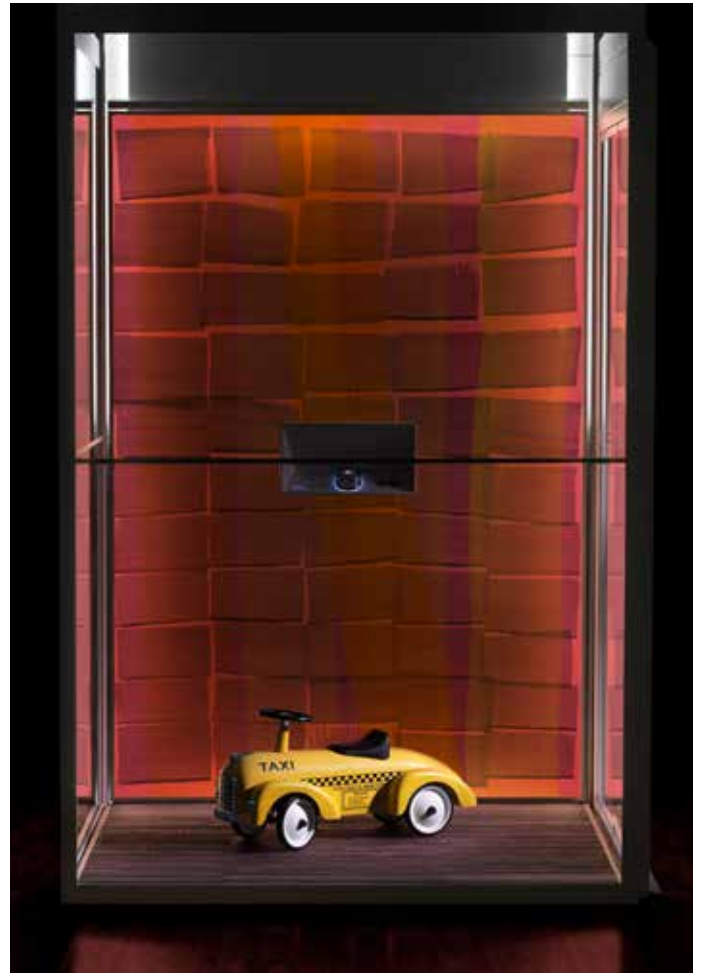
**Key West** by Erik Undéhn



**Skyline** by Erik Undéhn



**Pink** by Lotta Ingman



**Orange** by Lotta Ingman

# CONTROL PANEL

The control panel is placed in the middle of the DesignWall, and is used to control the lift.

## SMARTCONTROL

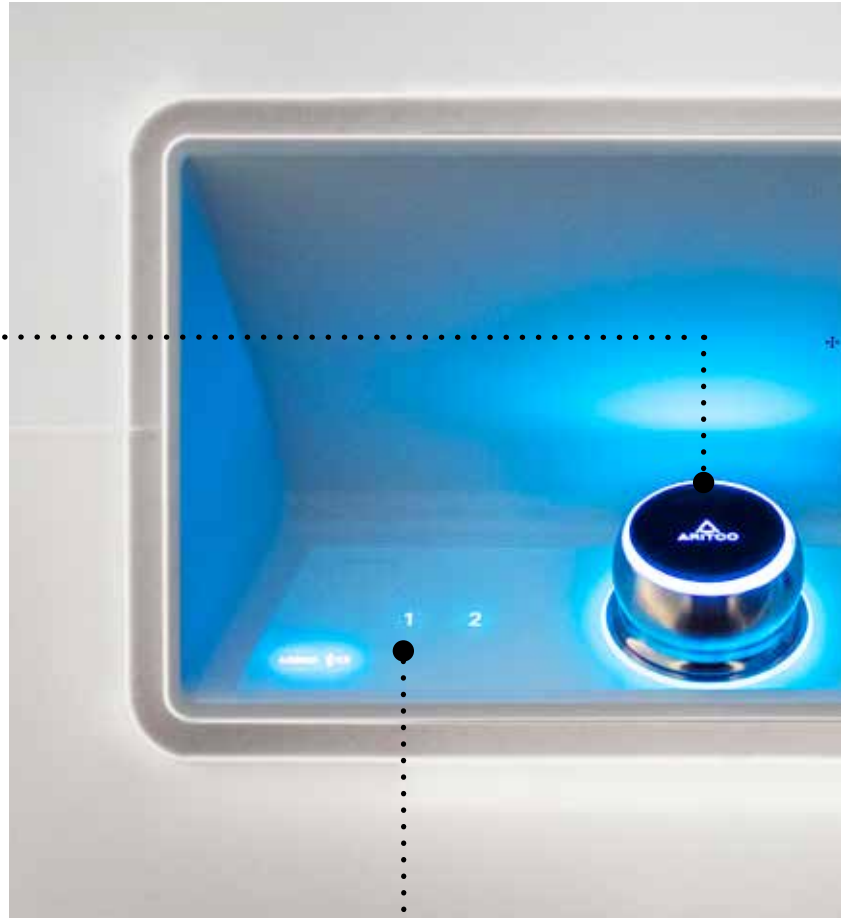
The SmartControl is a unique way of controlling the lift that has been specially developed to be more user-friendly and ergonomic than standard lift buttons. It comprises a stainless steel ring, which is turned to select a floor. The plastic top part is pressed to start the lift.



Turn counterclockwise to select a lower floor, i.e. to go down.



Turn clockwise to select a higher floor, i.e. to go up.



## CONTROL PANEL SYMBOLS

2

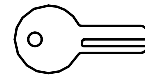
## FLOOR INDICATOR

The floors are indicated on the control panel with the numbers 1, 2, 3, 4, 5 and 6. The numbers are backlit using a white light, which tells you which floor you are currently on and which floor you have chosen to go to. The current floor is indicated with 100 % brightness, while the other floors are indicated with 50 % brightness.

400KG  X5

## RATED LOAD, MAXIMUM NUMBER OF PERSONS AND OVERLOAD

The control panel features symbols indicating the rated load and maximum number of persons that the lift is designed for. When the lift is loaded with a heavier load than it is rated for, the rated load symbol will flash red. It is not possible to use the lift when it is overloaded.

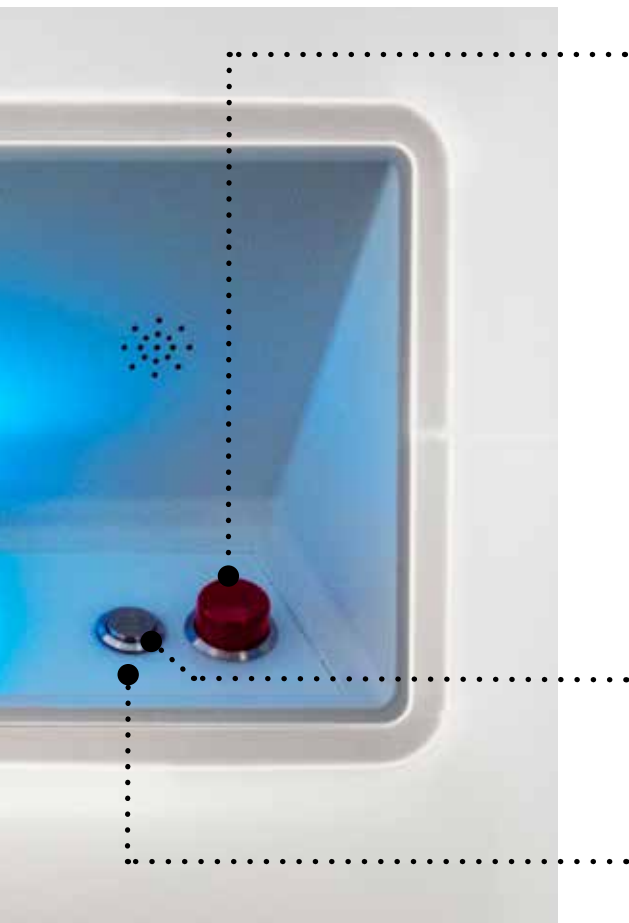


## KEY - FOR LOCKING THE CONTROL PANEL

It is possible to lock the control panel to prevent the lift from being used. A key symbol indicates whether or not the lift is locked. The lift can still be called from another floor when locked and is lit until the lock is turned off.

**Locking the lift:** Turn the SmartControl counterclockwise until the key symbol is shown. Then press and hold the SmartControl for five seconds. A second key symbol will then light up (red light) next to the max. weight symbol. This symbol indicates that the lift is locked.

**To unlock the lift:** Turn the SmartControl counterclockwise until the key symbol is shown. Press and hold the SmartControl for five seconds. The red key symbol will turn off, indicating that the lift is no longer locked.



**EMERGENCY STOP BUTTON**

The emergency stop button is designed for use in emergency situations. When the button is pressed, the lift stops. The button is reset by twisting it.



A backlit arrow indicates that the emergency stop function is activated. The white light will blink until the button is reset.

**ALARM BUTTON AND EMERGENCY CALLS**

In accordance with EN81-41, two-way communication is mandatory for safety reasons. All Aritco HomeLifts are therefore equipped with an autodialer that can be used to make emergency calls.

The alarm button is connected to the autodialer. When the alarm button is pressed for 10 seconds, the autodialer automatically calls the first telephone number in the list of pre-programmed numbers. The numbers are programmed when the lift is installed. If the first call is not answered after a pre-defined time, the autodialer will automatically call the next number in the list.

The autodialer is connected to the fixed PSTN line as standard. It can be supplied with a GSM module as an option. The SIM card is not supplied by Aritco.



Yellow light indicates that the alarm button has been pressed for more than 10 seconds.



Green light indicates connection.



**SERVICE SYMBOL - INDICATES THAT THE LIFT REQUIRES SERVICING**

If the lift is connected to Artico SmartLift Fleet and has the service indicator feature activated the symbol will go on when it's time for service. (launch Q1 2021)



**STATUS SYMBOL - INDICATES THE STATUS OF THE LIFT**

The status symbol indicates the status of the lift. When the symbol is not lit, this indicates that the lift is working normally. When lit, the symbol indicates a fault with the lift. A yellow light indicates a minor fault, while a red light indicates a serious fault that must be reset by service personnel.



**FIRE SYMBOL - INDICATES A FIRE**

The lift can be connected to the building's fire alarm system.

If there is no fire, the fire symbol remains off. In the event of a fire, the fire symbol turns red. In the event of a fire, the lift will automatically travel to the floor pre-defined by the homeowner.

# FLOOR

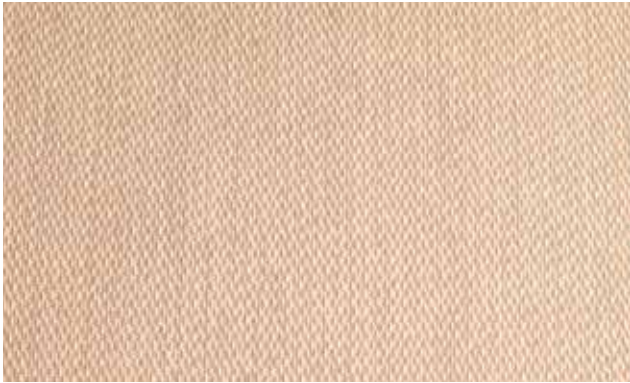
## High quality PVC floor made in Sweden – Bolon Sisal Plain Sand

The carrier is supplied with a stylish, high quality floor from popular Swedish company Bolon. The standard floor is Bolon Sisal

Plain Sand. As an option, another floor can be ordered from our carefully selected assortment. It is also possible to order the lift without a floor, which enables the homeowner to choose and fit their own floor. The maximum thickness of an externally selected floor is 5 mm.

Choose from our selection of high quality PVC floors made in Sweden by Bolon, or our dense, attractively-textured nylon carpets in solid modern colours to match your home's interior design.





**Bolon Sisal Plain Sand** (Standard)



**Bolon Flow Stream** (Option)



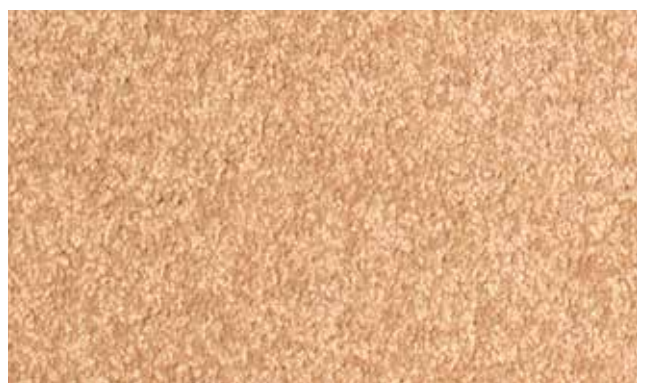
**Bolon Graphic Gradient** (Option)



**Carpet Elephant** (Option)



**Carpet Chianti** (Option)



**Carpet Camel** (Option)



# DOORS

The doors installed in the lift walls at each floor are double doors, i.e. two leaves with a central opening. The door leaves are made of glass with painted profiles.



**Door opening height:** 2000 mm

**Door opening width:** 630 mm, 800 mm or 900 mm depending on the lift size and on which side of the lift the door is placed. See the drawings on pages 32-33 for further details.

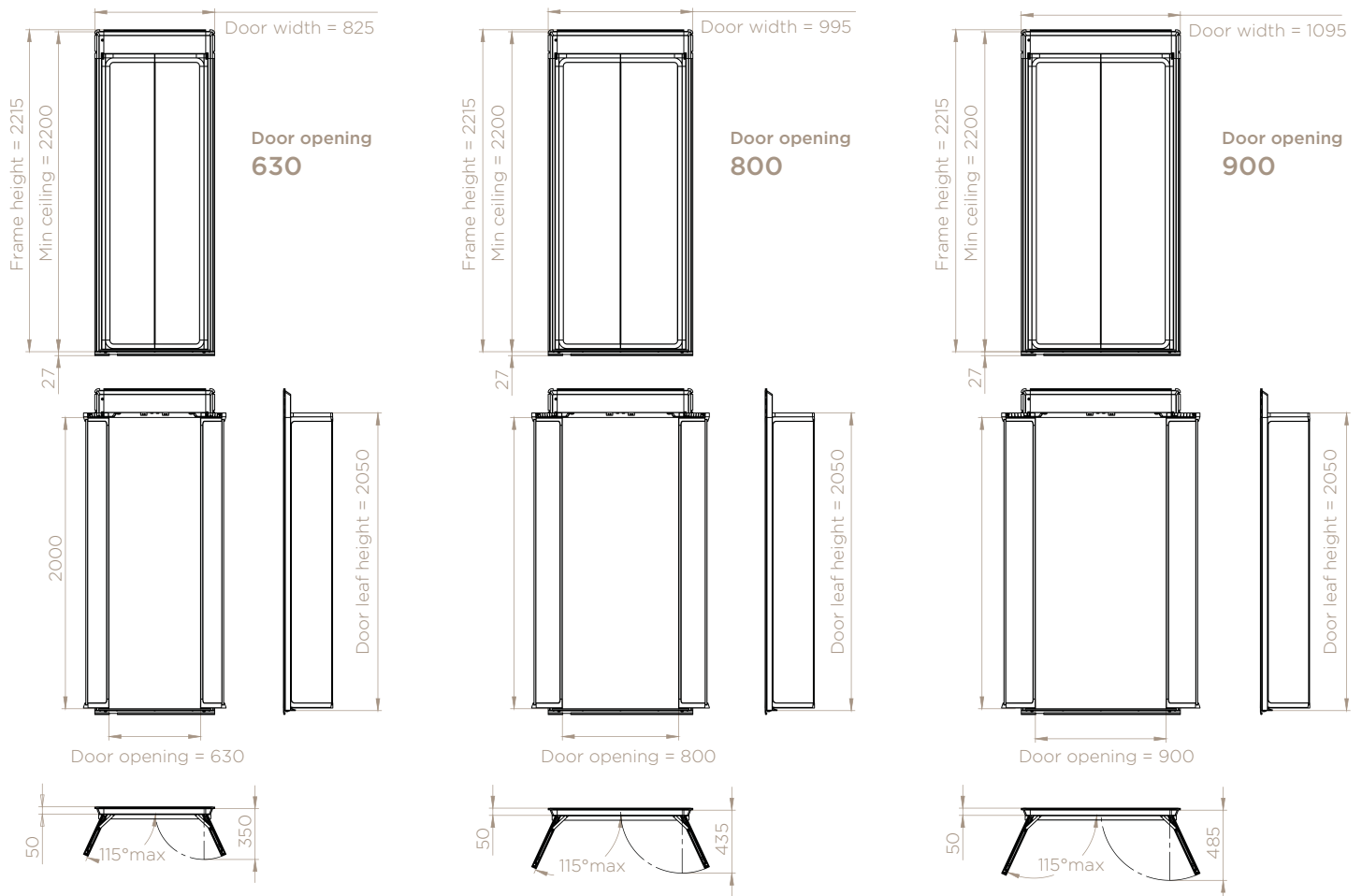
## GLASS

Our door leaves are made of toughened and laminated glass. Clear glass (JT0) is supplied as standard, while tinted glass (JT16) can be ordered as an option.

## DOOR CONTROL

The door frame of each door features a call button, which is used to call the lift. The call button is mounted in a case painted in the same colour as the walls; the button is stainless steel and features a backlit frame (white light) that provides information about the lift:

- The light is off - the lift is in standby mode and is not currently being used.
- White light - the lift has been called.
- Flashing white light - the lift is occupied (or out of order).



## DOOR OPENERS

Two internal door openers are integrated in the door frame. These open and close the door leaves automatically and simultaneously. It is possible to set the speed at which the doors open, the time for which the doors remain open, and the opening angle of the doors.

The door openers feature collision intelligence and can sense if an obstacle is in the way. If a door hits something while in motion, the doors automatically reverse. The door then tries to complete the motion again, passing slowly at the location where it previously encountered the obstruction. This is to ensure that the object that was previously in the way has been removed, and to reduce the force.

## EXTENDED DOOR OPENING TIME

When extra time is needed to get things in or out of the lift, it is possible to extend the time that the doors remain open. Just press the call button for five seconds to extend the time that the doors remain open. The default time is 120 seconds, and it is possible to set the open time to up to 300

seconds. When the extended door opening time is activated, the lift cannot be called from another floor until the doors have closed again. When the extended door opening time is activated, the call button will flash.

## DOOR SILLS

The door sills are painted in the same colour as the doors.

## DOOR LOCK

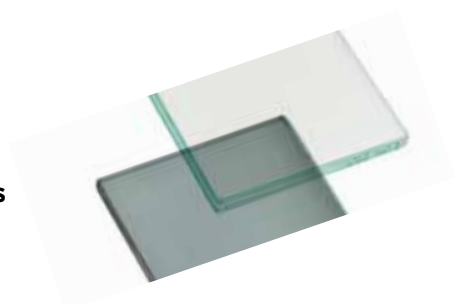
An electrical door lock is located in the door frame.

## Clear glass

(JT0)

## Tinted glass

(JT16)



# DESIGNLIGHT

Home lighting is one of the most important factors in achieving an interior with a cohesive vision.

Lighting in our homes can bring beauty into our interior surroundings. The state-of-the-art design of the lighting in the Aritco HomeLift has been developed by Sweden's leading lighting architects.

## **DESIGNWALL**

The acrylic glass DesignWall is backlit with a white light.

## **DESIGNLIGHT COLOUR**

The lift is delivered with white lighting as standard. The lift can be delivered with coloured (RGB) lighting as an option. Note that the DesignWall is always delivered with a white light.

## **WALLS**

Indirect lighting illuminates the lift's interior walls. The light source is hidden behind the lift's covering panels, and runs along both sides of the lift, from bottom to top. White lighting is supplied as standard. Coloured (RGB) lighting may be ordered as an option.

## **CEILING**

Indirect lighting illuminates the ceiling inside the lift. White lighting is supplied as standard. It is possible to order the lift with coloured lighting (RGB) as an option.

## **LIGHTING CONTROL**

The DesignLight can be controlled and adjusted using the user-friendly Aritco SmartLift App, or via the service panel.

# SMARTLIFT

## Aritco SmartLift APP

The purpose with Aritco SmartLift App is to create a nice user experience when the owner of an Aritco HomeLift wants to configure lift parameters.

We believe that a smartphone interface is really improving the user experience being able to control/configure settings of the lift with an intuitive interface.

The main benefit is that the owner does not need to contact the service provider if they like to change the lights, they can just do it themselves.

Our intention with the Aritco SmartLift App is to continue to develop the functionality according to the feedback we get from the market to make sure it stays attractive and adds value to the owner of an Aritco lift.



## KEY FUNCTIONALITY

- Light Settings
- Light timer
- Set the brightness of the DesignWall lights
- Set brightness of the shaft lights
- Change the color of the shaft light, if the lift is equipped with RGB LED lights

# LIFT WALLS

The lift is always delivered with self-supporting walls that enclose the carrier. The walls are visible from both inside the lift and from outside the lift, from the room.

The walls are constructed using an ingenious system that makes it possible to freely mix solid wall panels and glass wall panels. All the panels are of the same thickness (10 mm) and same height. The walls are fitted together without visible screws.

## WALL COLOUR

The walls are painted in Traffic White, RAL 9016, as standard. This includes all the wall parts – the wall panels, profiles, cable ducts, corner profiles, covering panels and backside covering, etc.

If the walls are ordered in an optional colour, all the wall parts will be painted in this colour. For further details, see the 'Lift colour' chapter on pages 8-9.

**Clear glass**  
(JT0)

**Tinted glass**  
(JT16)



## CEILING

The ceiling is supplied with a white LED light as standard, and can be ordered with a coloured (RGB) light as an option.

## WALL PANELS

The standard walls are delivered with wall panels composed of steel plates with an EPS (polystyrene) core. The standard height of the wall panels is approx. 1100 mm. The panels can be cut upon installation to ensure a perfect fit.

## WALL PANEL PROFILE

A thin H-profile is used between the wall panels. The same profile is used for both solid wall panels and glass wall panels.

## COVERING PANELS

The inside of the machine side is covered with covering panels. The panels are supplied as standard and cover the mast, drive screw and other components so that they cannot be seen. The panels are made of steel and delivered in the same colour as the rest of the lift walls.

## WALL CORNERS

The wall corners are made of painted aluminum. Inside the lift the corners are covered to hide screws and fittings.

## GLASS WALL PANELS

Glass wall panels can be ordered as an option. The glass panels are made of 10 mm thick toughened and laminated glass. The glass panels are available in clear glass (JT0) and tinted glass (JT16) in the following heights:

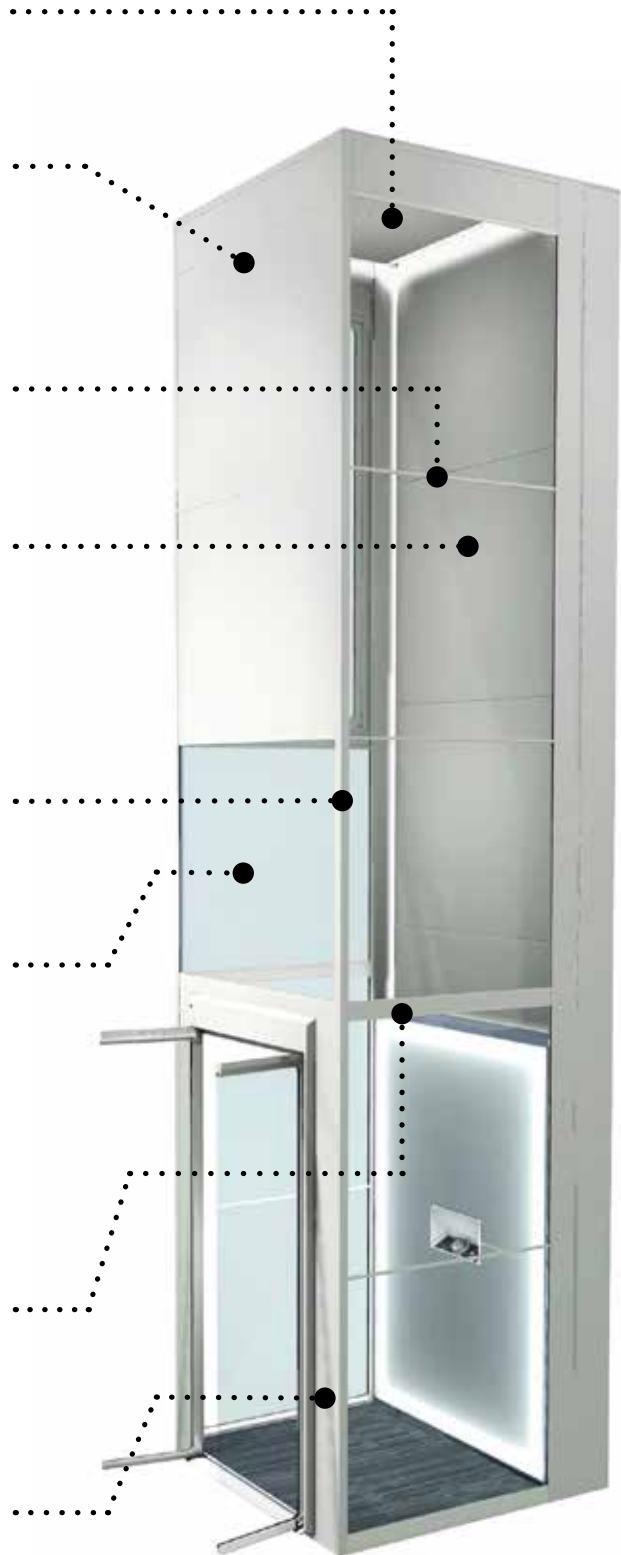
- Standard height: approx. 1100 mm
- Extended height: approx. 2200 mm
- Custom height: between 250 mm and 2200 mm

## CABLE DUCTS

When installing the doors on the B-side, cable ducts are installed on the A-side or C-side. The cable duct is used to run cables from the doors on the B-side to the back of the lift.

## DOOR SIDE PANEL

For lift sizes S12 and S15 with the doors on the B-side, door side panels are installed to cover the space between the door frame and wall corners.



# LIFT OVERVIEW, DEFINITIONS AND TOP FLOOR SOLUTIONS

## **TOP HEIGHT**

The height from the floor on the top floor to the top of the lift walls (minimum 2 225 mm).

- Wall extension: Top floor height 2 275 - 4 000 mm
- Recommended top height when having a ceiling and glass wall panels is 2 350 mm. So that you can't see the LED lights in the ceiling through the glass wall panels.
- Recommended top height when having wall panels (non-glass) is 2 275 mm. It is much easier to get a good looking finish if you end the walls (shaft) at this height.

## **WALL EXTENSION**

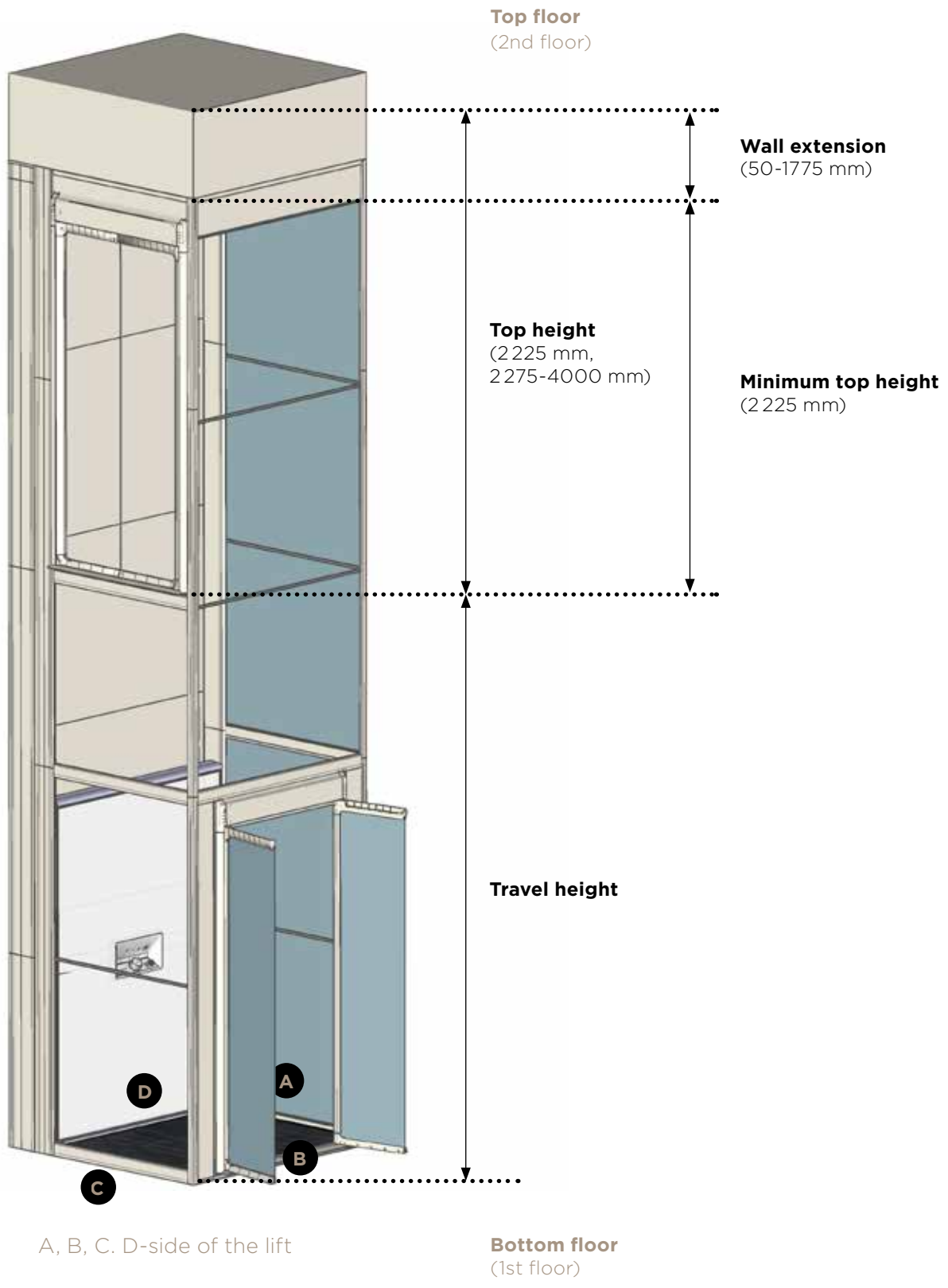
The standard height of the walls on the top floor is 2 225 mm. It is possible to order a wall extension to enable the walls to reach the ceiling of the building on the top floor. The wall extension can be ordered in millimetre increments to reach a top height of 2 225 mm and 2 275-4 000 mm.

Note that maximum total shaft height is 18 000 mm.

## **TRAVEL HEIGHT**

The height from floor level on the ground floor to floor level on the top floor. The distance that the lift can travel.





# EUROPEAN STANDARDS AND SAFETY

The Aritco HomeLift complies with the European Machine Directive 2006/42/EC. The lift follows with the safety aspects of the platform lift standard EN81-41. The drive system is not covered by the standard and is separately examined.

**European Standard EN81-41:2010:** Safety rules for the construction and installation of lifts – Special lifts for the transport of persons and goods. The lift is type approved. Following installation the lift is CE marked.

## SMARTSAFETY SYSTEM

The Aritco HomeLift system is designed with a focus on safety and reliability in order to anticipate and prevent all hazardous situations that may occur in the home. Small children will play inside and outside of the lift, and smart doors and safety sensors will prevent their fingers from being trapped and injured. The lift's drive system is a thoroughly-tested and reliable system with a screw attached to the DesignWall, which drives the lift up and down.

1. **Smart doors.** The integrated door openers feature collision intelligence, and can sense if an obstacle is in the way. If a door hits something while in motion, the doors automatically reverse. The door then tries to complete the motion again, passing slowly at the location where it previously encountered the obstruction. This is to ensure that the object that was previously in the way has been removed, and to reduce the force.

2. **Emergency operation.** Electrical emergency operation is included for all lifts. In the event of an emergency (in accordance with EN81-41) it is possible for an authorised/competent person to lower the lift to the nearest landing (from the service panel outside the lift). The emergency operation speed is 0.8 m/min.
3. **Control system battery monitoring function.** All lifts include a battery monitoring function in the control system. The smart battery guard ensures that the batteries are not discharged if you turn off the lift, or the power supply is unstable.
4. **Safety edges.** Safety edges are located around the carrier floor and at the top of the Design-Wall. The safety edges ensure that it is not possible for an object to become trapped between the moving carrier and the walls (shaft). If something should come between the carrier and the walls (shaft), the lift will stop.
5. **Key – locking the lift.** It is possible to lock the control panel to prevent the lift from being used. A key symbol indicates whether or not the lift is locked.
6. **Drive system.** The drive system is a thoroughly-tested and reliable system, with a screw and nut attached to the DesignWall that drives the lift up and down. The system also features dual safety brakes and a battery-driven lowering system, so you are always able to get out of the lift, even in the event of a power failure. For Aritco, it is natural to follow the most stringent safety requirements and directives!

# DRIVE SYSTEM AND CONTROL SYSTEM

## DRIVE SYSTEM

The Aritco HomeLift has a unique screw and nut drive system that has been specially developed and adapted to the requirements of a home environment; it is silent and smell-free, smooth-running with a soft start and stop, takes up little space and is cost-effective. The frequency control ensures that the lift has a smooth start and stop. The screw is fixed to the top of the mast, and when the nut turns the lift moves (via a motor and belt). A safety nut is installed below the drive nut for extra safety. The lift is equipped with electromagnetic dual safety brakes and an electronic over-speed governor, which prevents the lift from descending with excessive speed or in free-fall.

## RATED SPEED

Rated speed max. 0.15 m/s.

- 1-phase 230 V

Rated load	Fuse
250 kg	1x10A Type C
400 kg	1x13A Type C

Rated speed max. 0.3 m/s. For installations outside Europe only.

- 3-phase 400 V

Rated load	Fuse
250 kg	3x10A Type C
400 kg	3x10A Type C

## LUBRICATION

Automatic lubrication is included as standard. Pump based system that provides a constant oil flow on the drive screw.

## MAST

The lift (including the drive screw) is always delivered in parts. This makes transport and installation easier and more cost-effective. Parts are never longer than 2300 mm.

The guides have corrosion class C5 and are made of Magnelis. Magnelis is a metal coating with 3% Magnesium, which gives it a very high corrosion resistance.

## CONTROL SYSTEM

Micro-controller based control system. System bus: Controller Area Network (CAN) @ 50 kbit/s. The system is based on a CAN-bus multi node architecture with load controller modules. Each module is responsible for a specific task and operation. The main controller module is located behind the DesignWall for easy access. For local control, change of settings and runtime data a service panel is located on or close to the lift.

# INSTALLATION

Make sure that the entire installation is made in an indoor environment.

## RECESSED INSTALLATION (WITH A PIT) OR DIRECTLY ON THE FLOOR

The lift can be installed 37 mm below the floor level in a so-called recessed installation with a pit. This enables the lift carrier floor to be flush with the floor of the house on the bottom floor (only with 13 mm door sill). If it is not possible to make a 37 mm pit in the floor, the lift can be installed directly on the floor. When the lift is installed directly on the floor, the lift carrier floor will be 50 mm higher than the floor of the house. A ramp to put in front of the lift can then be ordered as an option.

## BACKSIDE COVERING

When the lift is not installed against a wall and the back of the lift is visible, a backside covering can be ordered as an option to cover the back of the lift. The backside covering is made of steel and painted in the same colour as the rest of the lift walls.

## MAST BRACKET

When the lift is not installed and fixed directly on the machine side (against a wall, staircase or equivalent), mast brackets can be used to fix the lift. The mast brackets make it possible to install the lift even if the fixing points are on the A, B and C sides. Note that the mast bracket will be installed on the outside of the lift and will take up extra space. For exact dimensions see site preparation manual and installation manual.

The mast brackets are painted in the same colour as the lift walls.

There are three different mast bracket solutions, depending on how you fix the lift;

1. A solution for when you fix the lift on the A or C-side.
2. A solution when you fix the lift on the B-side.
3. A start profile that you fix on the machine side of the lift and that can be used as a start when you build your own fixing.



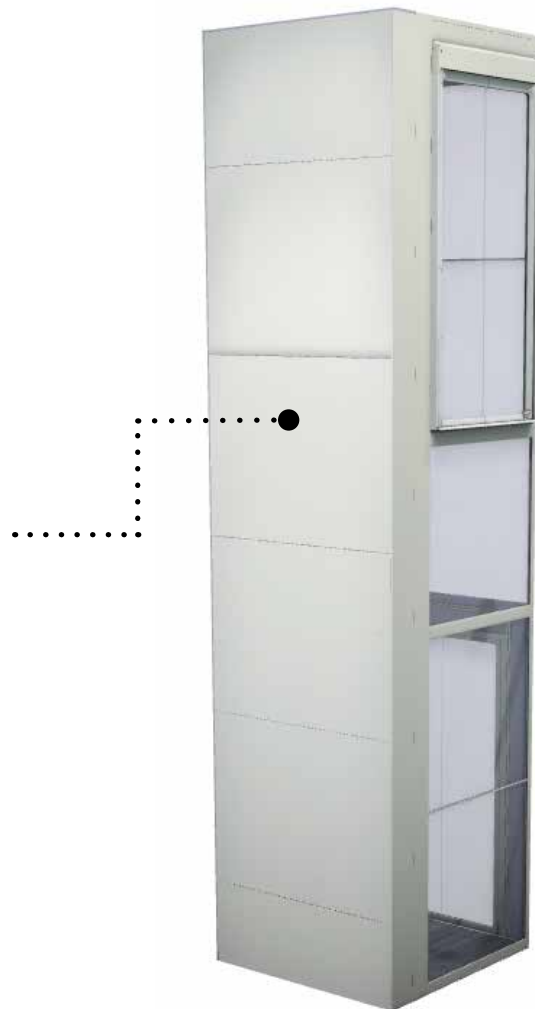
1)



2)



3)



## TOP HEIGHT AND MINIMUM BUILDING CEILING HEIGHT

Note that for installation reasons the ceiling height of the building must be a minimum of 15 mm higher than the top height of the lift.

## MINIMUM DISTANCE BETWEEN TWO FLOORS

The minimum distance between two floors is 110 mm. When the doors are placed on the same side on both floors the minimum distance is 2300 mm.

## FRAME BRACKET

Standard frame brackets to be used when fixing the doors on each floor to the system of joists is delivered with the lift (70 mm high). When having underfloor heating a higher frame bracket (150 mm) can be ordered in the webshop.

# FIXING THE LIFT

## Fixing the lift to the walls of the house.

For details of how to fix the lift, see the Aritco HomeLift site preparation manual and installation manual. Make sure that the entire installation is made in an indoor environment. The fixings should be placed according to specified altitudes below:

- Distance (height) from ground floor to lowest fixing into the wall shall be between 2 m to 4 m.
- The maximum distance between two fixings or lower floor and the lowest fixing is 4 m.
- Maximum distance from the top of the mast to the highest fixing into the wall is 1,2 m.
- The mast ends 0,3 m below the top of the shaft.

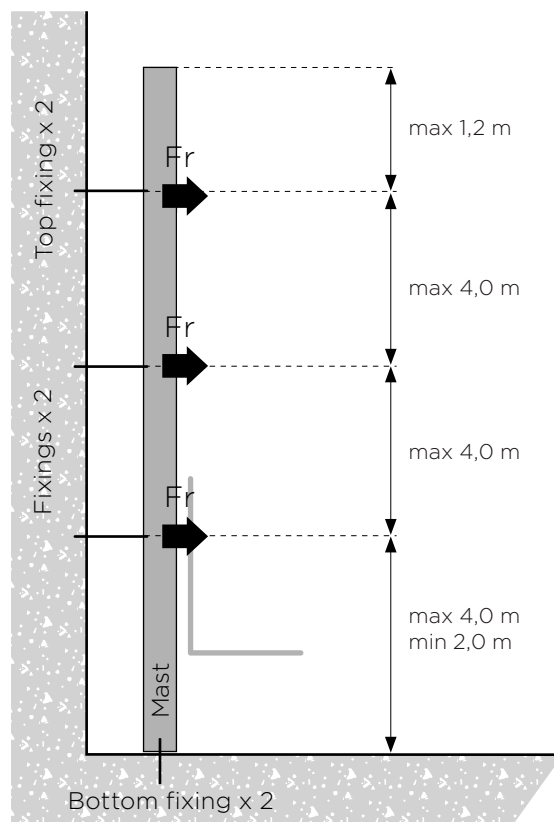
Note that the lift can't be installed without fixings on the top floor. For fixing of the lifts see picture and for more details refer to the site preparation manual and installation manual.

Load on the area A from mast, platform load and dynamic forces:

Total lift height (m)	S5 (kN)	S8 (kN)	S9 (kN)	S12 (kN)	S15 (kN)
3	9,7	9,8	9,8	13,4	13,7
5	10,9	11,0	11,0	14,8	15,2
7	12,0	12,2	12,2	16,1	16,6
9	13,2	13,4	13,4	17,5	18,1
11	14,4	14,6	14,6	18,8	19,5
13	15,6	15,7	15,8	20,2	21,0
15	16,8	16,9	17,0	21,6	22,4
18	18,6	18,7	18,8	23,6	24,6

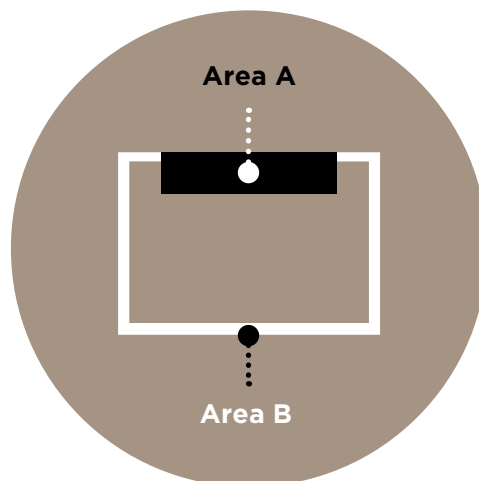
Load on the area B from mast, platform load and dynamic forces:

Total lift height (m)	S5 (kN)	S8 (kN)	S9 (kN)	S12 (kN)	S15 (kN)
3	2,0	2,6	2,8	2,9	3,2
5	3,2	4,2	4,5	4,7	5,1
7	4,5	5,8	6,2	6,5	7,0
9	5,7	7,4	7,9	8,3	8,9
11	6,9	9,0	9,7	10,0	10,8
13	8,2	10,6	11,4	11,8	12,7
15	9,4	12,2	13,1	13,6	14,6
18	11,3	14,6	15,7	16,3	17,4



**Area A:** Carries the weight from mast, drive unit, platform, rated load, over load (75 kg) and maximum dynamic force (250 kg for S5, S7 and S9. 400 kg for S12, S15. All at the speed 0,15 m/s).

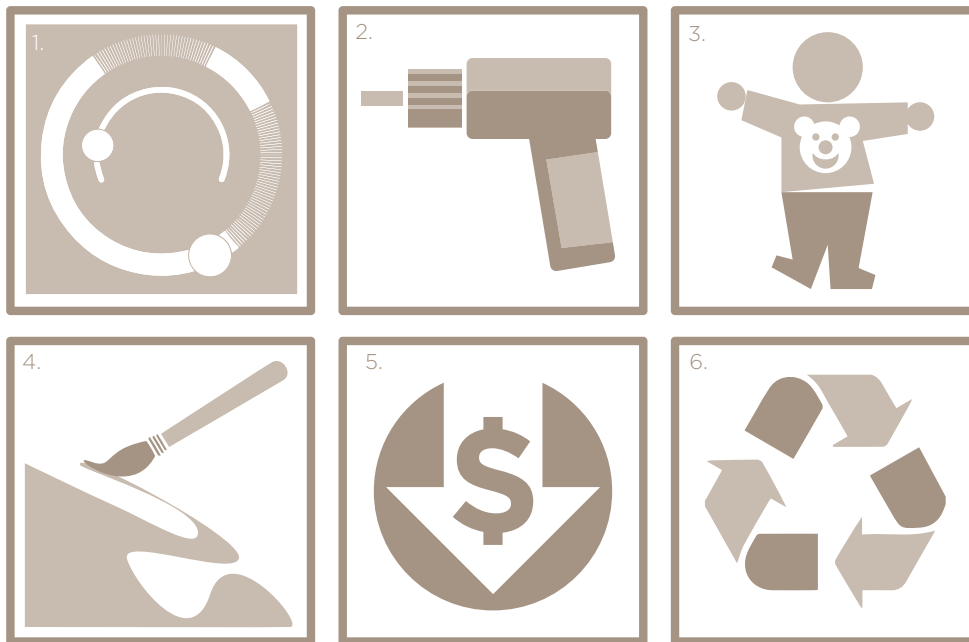
**Area B:** Carries the weight from a glass shaft, including ceiling, (EPS wall panels weigh less).



# RECOMMENDED SALES ARGUMENTS

Benefits for the homeowner -  
Uniquely designed for homes





### 1. Aritco SmartLift APP

With the Aritco SmartLift App you can control the lighting of your lift from your phone or tablet.

### 2. EASY INSTALLATION

The Aritco HomeLift can be installed in just a few days (under normal conditions), so interruption to your daily life is minimal during the installation.

Unlike many other lifts, the Aritco HomeLift can be installed directly on the floor. If you want the lift floor to be flush with the room floor, a pit of just 37 mm is required.

### 3. SMARTSAFETY SYSTEM

The lift is equipped with our SmartSafety system, which includes intelligent doors, safety sensors and dual safety brakes.

In the event of a power failure, the battery-driven emergency lowering system will take you safely to the nearest lower level and open the doors.

The smart battery guard ensures that the batteries are not discharged if you turn off the lift, or if the power supply is unstable.

Aritco HomeLift is CE-certified, which is a warranty that fulfils high requirements on safety and reliability. Aritco HomeLifts fulfils Europe's most stringent safety regulations.

### 4. CUSTOMIZABLE DESIGN

The lifts DesignWall, SmartLift app and lighting design are features unlike any other product on the market. Flooring and colour options makes it fit

any personal preferences. All of which has a touch of Scandinavian design simplicity.

### 5. LOW COST

The Aritco HomeLift has one of the markets lowest maintenance costs. It has a very low energy consumption, less than a typical washing machine.

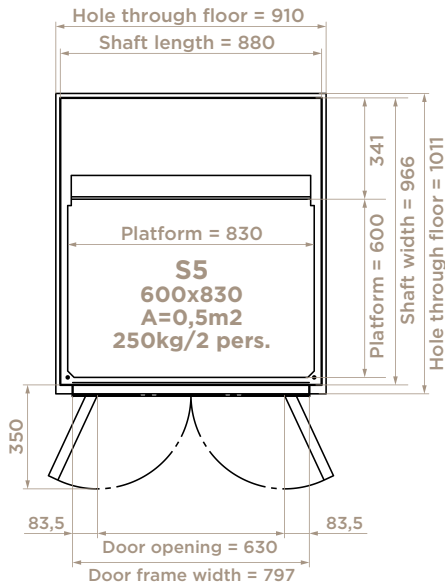
### 6. 95% RECYCLABLE

We put great emphasis on the environment to save it for future generations. Therefore, 95% of all the components in the lift are recyclable.

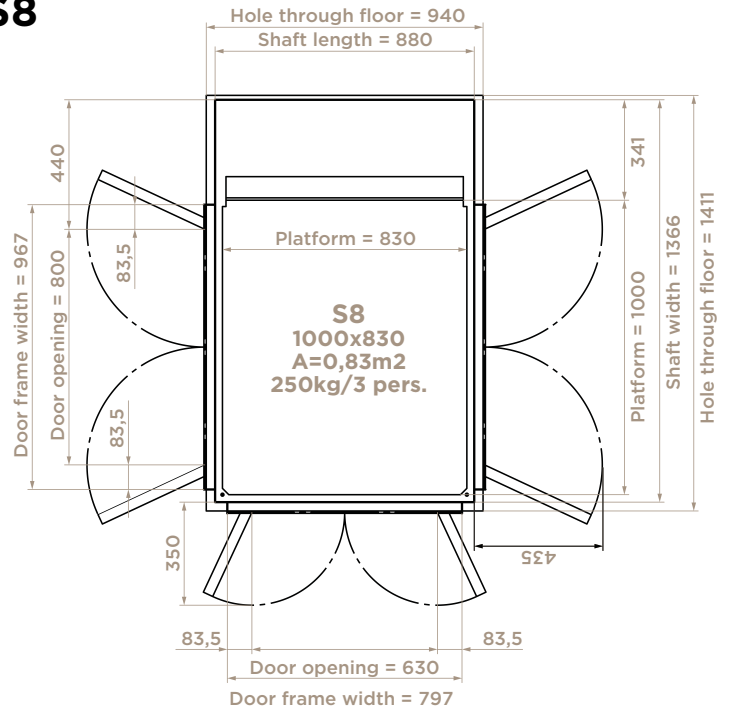
# DRAWINGS

For exact details for installation see site preparation manual.

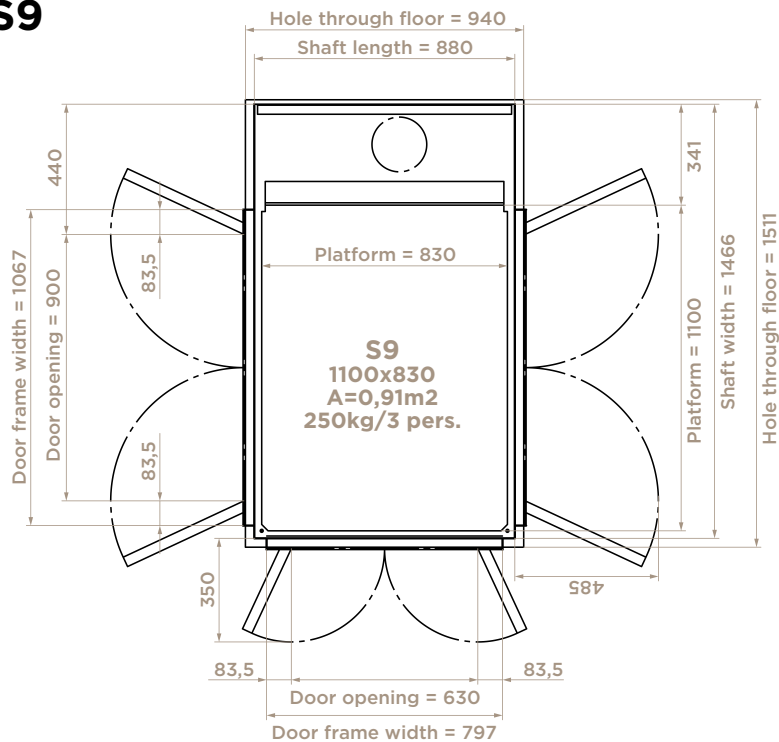
**S5**



**S8**

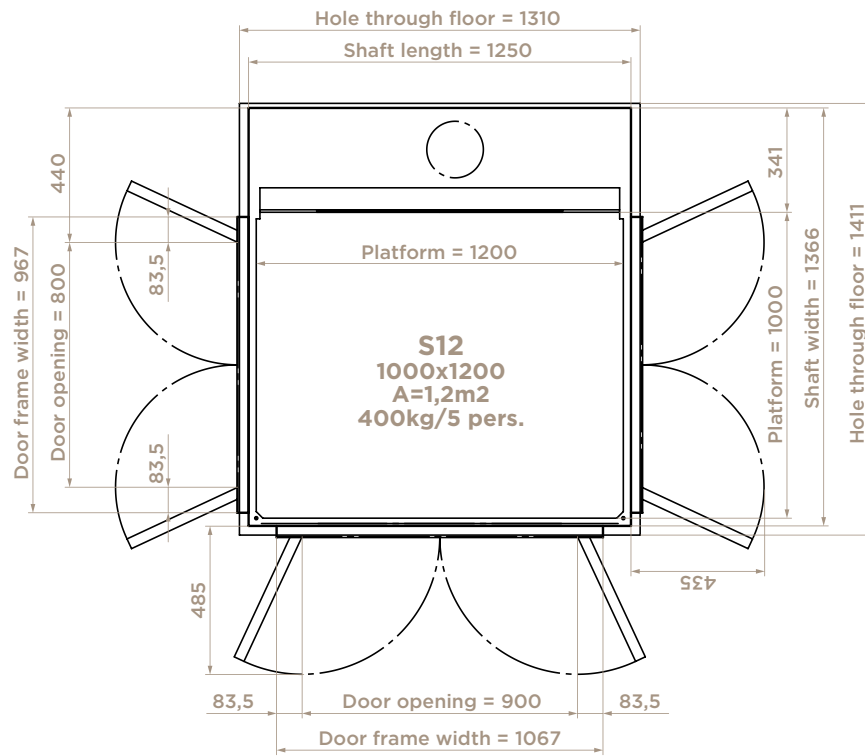


**S9**

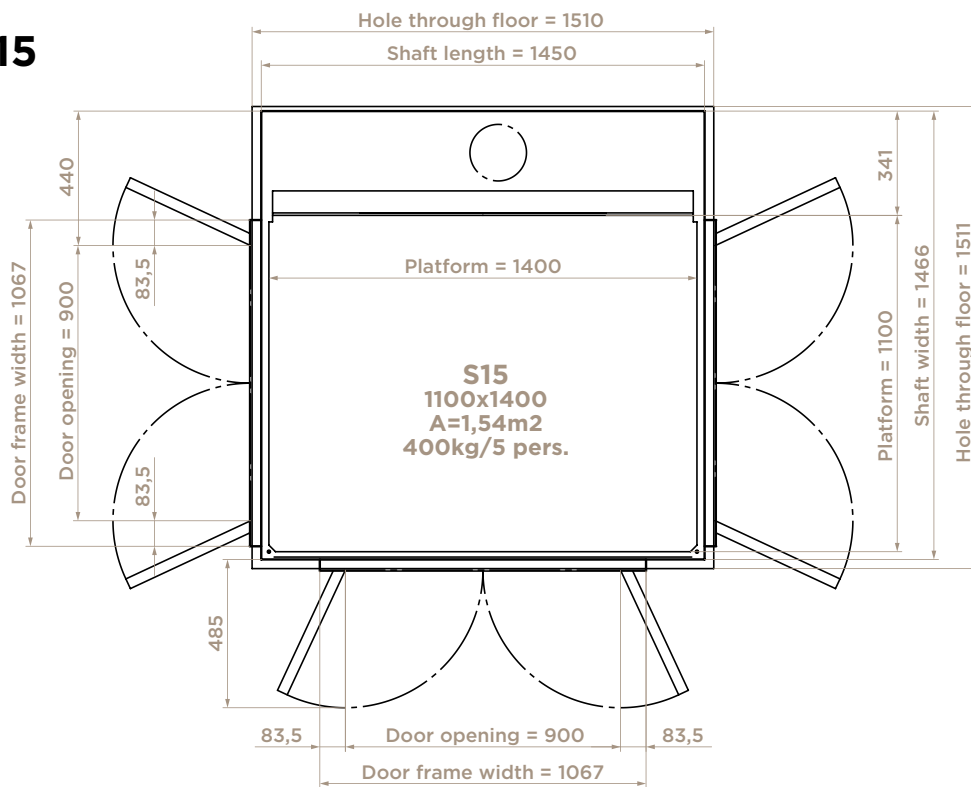




# S12



# S15



Aritco is a worldleading manufacturer  
of platform lifts and home lifts. Read  
more at **aritco.com**



Exclusive Distributor in Sarawak, East Malaysia

**LIFKON SWK ENTERPRISES SDN BHD**

No.15, Ground Floor, Westin Avenue,  
Block 16, Lot 11870, Jalan Tun Jugah,  
93350 Kuching, Sarawak

T: +60 17 858 9662  
E: [info@lifkon.com.my](mailto:info@lifkon.com.my)  
W: [www.lifkon.com.my](http://www.lifkon.com.my)

**Aritco Lift AB**  
Elektronikhöjden 14, Box 516  
175 26 Järfälla, Sweden

T: +46 (0) 8 120 401 00  
E: [info@aritco.com](mailto:info@aritco.com)  
[www.aritco.com](http://www.aritco.com)

